

# Laboratory 1

(Due date : September 25<sup>th</sup>)

## OBJECTIVES

- ✓ Review VHDL Coding for FPGA and VHDL tesbenches.
- ✓ Learn the Xilinx FPGA Design Flow with the Vivado Webpack software: Synthesis, Simulation, and Bitstream Generation.
- ✓ Learn how to assign FPGA I/O pins and download the bitstream on the ZYBO Board.

## VHDL CODING

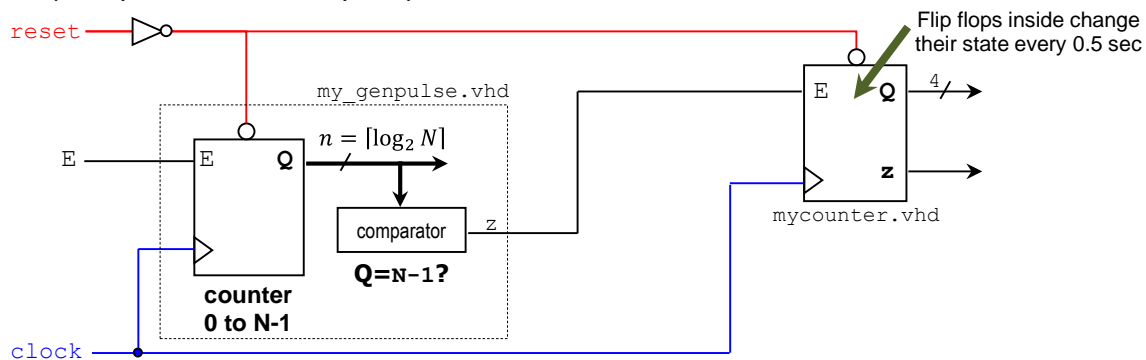
- ✓ Refer to the [Tutorial: VHDL for FPGAs](#) for a tutorial and a list of examples.

## ZYBO BOARD SETUP

- The ZYBO Board can receive power from the shared UART/JTAG USB port (J11). Connect your Board to a computer via the USB cable. If it does not turn on, connect the power supply of the Board.
- ZYBO documentation: Available in [class website](#).

## FIRST ACTIVITY (100/100)

- Design a 4-bit counter with the following count:14, 12, 10, 8, 6, 4, 2, 0, 1, 3, 5, 7, 9, 11, 13, 15
- **Inputs:** enable, reset, clock. **Outputs:** 4-bit count (connected to LEDs).
- The count should increase every 0.5 seconds: You can use a pulse generator (VHDL code is provided) that generates a pulse where we can customize the interval of time between pulses. This pulse is fed to the enable input of the counter.
- Note that the frequency of the input clock is 125 MHz. You should set up the parameter  $N$  of the pulse generator so that it generates a pulse (of duration  $1/125$  us) every 0.5 s.



## XILINX ZYNQ SOC DESIGN FLOW:

- ✓ Create a new Vivado Project. Select the **ZYNQ XC7Z010-1CLG400C** device.
  - ✓ Write the VHDL code for the counter with enable (`mycounter.vhd`). You can use the state machine method.
  - ✓ Using the structural coding approach in VHDL, instantiate the counter and the pulse generator into a top file. Synthesize your circuit (Run Synthesis).
  - ✓ Write the VHDL testbench to test the circuit for every possible combination of the inputs.
  - ✓ Perform Functional Simulation (Run Simulation → Run Behavioral Simulation). **Demonstrate this to your instructor.**
  - ✓ I/O Assignment: Create the XDC. On the ZYBO Board, use LD3 to LD0 (pins D18, G14, M15, M14) for the outputs, SW0 (pin G15) for enable, BTN0 (pin L16) for reset, and CLK125 (pin L16) for the input clock.
  - ✓ Implement your design (Run Implementation).
  - ✓ Perform Timing Simulation (Run Simulation → Post-Implementation Timing Simulation). **Demonstrate this to your instructor.**
  - ✓ Generate the bitstream file (Generate Bitstream).
  - ✓ Download the bitstream on the ZYNQ SoC (Open Hardware Manager → Program Device) and test. **Demonstrate this to your instructor.**
- Submit (as a .zip file) the generated files: VHDL code, VHDL testbench, and XDC file to Moodle (an assignment will be created). DO NOT submit the whole Vivado Project.

Instructor signature: \_\_\_\_\_

Date: \_\_\_\_\_